

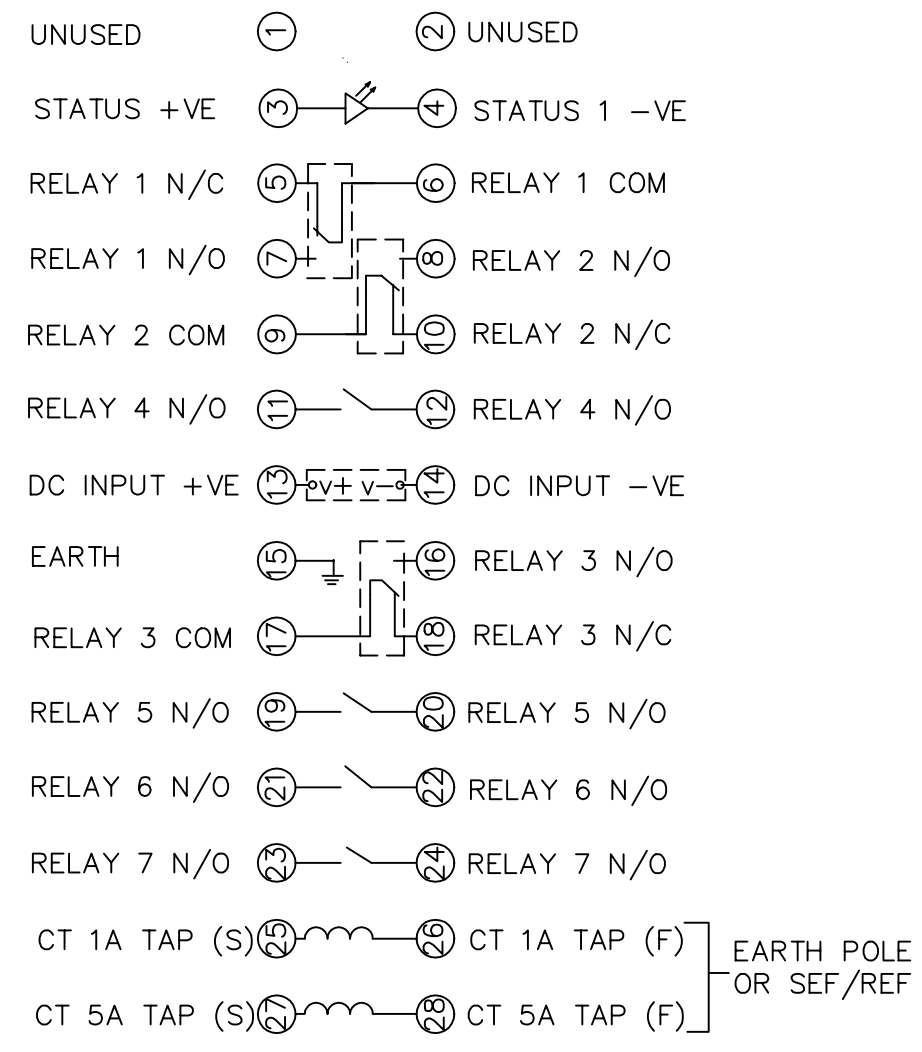
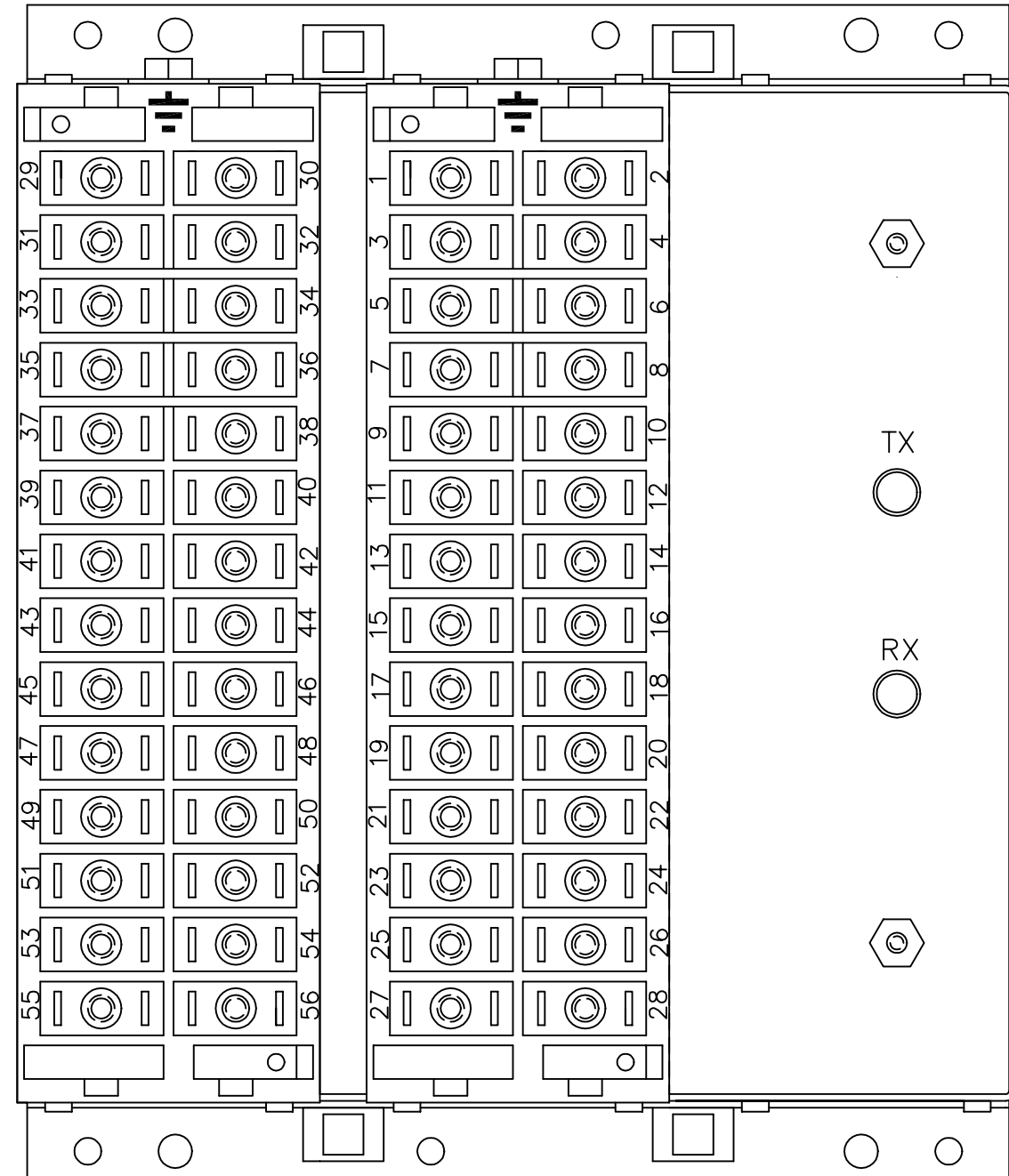
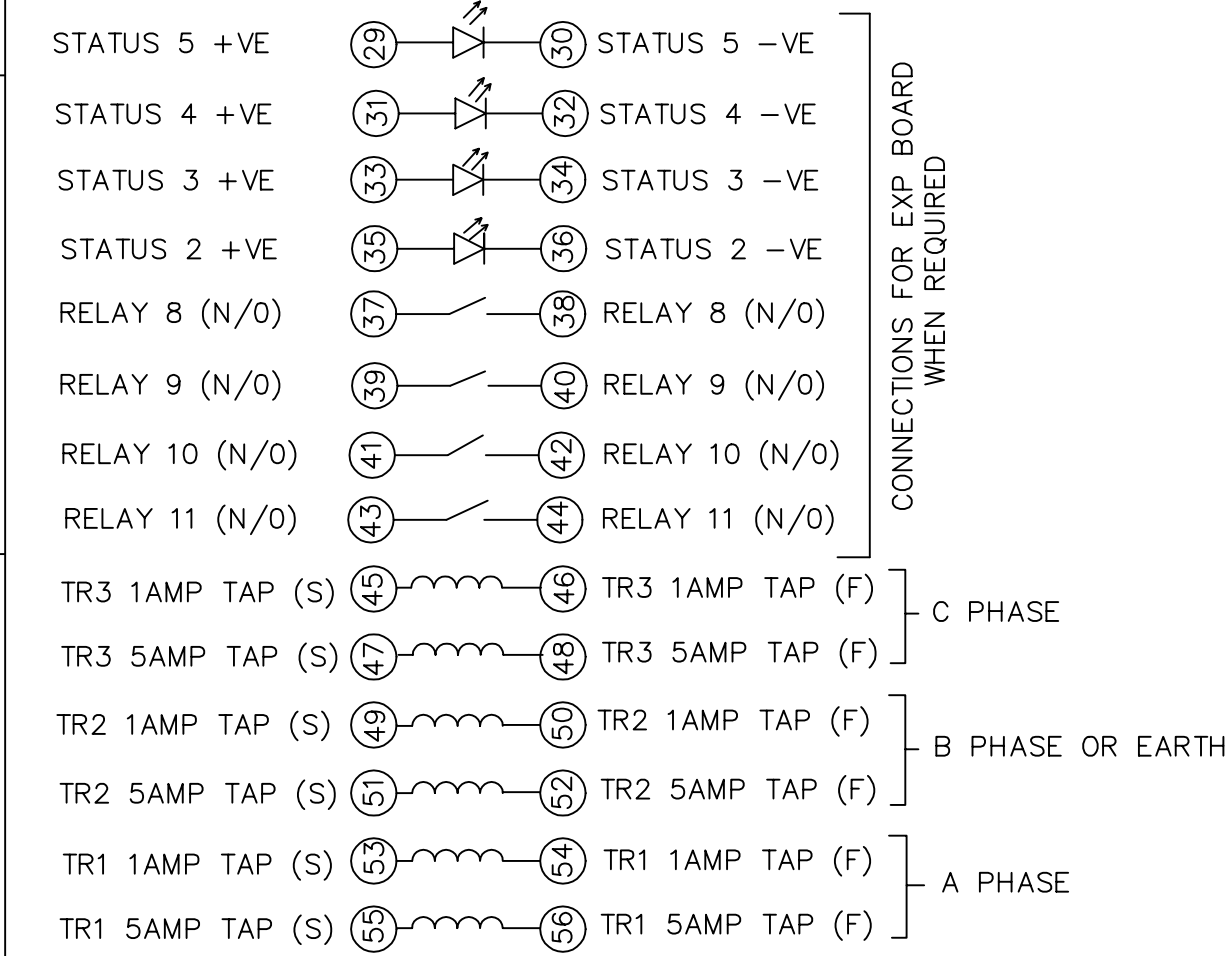
IF IN DOUBT ASK  
DO NOT SCALE

NOTES  
 1 FOR R6 BOX ASSY SEE 2434H10002 (A1)  
 2 TERMINALS RECOMMENDED ARE PRE INSULATED & MUST BE CRIMPED USING APPROVED TOOLING. AMP PIDG OR PLASTI GRIP FUNNEL ENTRY (RING TONGUE) FOR M4 FIXING STUD.

SUPPLIER	AMP	CABLE SIZE
AMP	342103	0.25-1.6 SQ MM
AMP	342143	1.0-2.6 SQ MM.

OR ANY OTHER MANUFACTURERS EQUIVALENT TERMINAL.

3 FOR OUTLINE & DRILLING DRG SEE 2434X10001 (A4).  
 4 PROTECTIVE CAPS TAKEN FROM FIBRE OPTIC CONNECTORS MAY BE RETAINED ON COMMS INTERFACE FIXING NUTS.



BOX VIEWED FROM REAR

**NOT SUBJECT TO UPDATE  
ONCE COPIED / PRINTED  
OR DOWNLOADED**

<b>MATERIAL:</b> Dimensions in millimetres ; Surface texture in micrometres. Machine where marked ✓ For explanation of dimensions, tolerances, notes etc. see B.S.308. Limit on untoleranced unmachined dimensions ± _____ Limits on untoleranced machined dimensions to B.S.4500; i.e. up to 6±0.1; over 30 to 120±0.3; over 315±0.8; over 6 to 30±0.2; over 120 to 315±0.5; General unmachined angular tolerance ± _____		Finish: _____ Treatment: _____	Title: TERMINAL IDENTIFICATION & RELAY WIRING DIAGRAM 4 POLE DCD RELAY  <b>Reyrolle Protection Hebburn.</b>	Original Scale: 1:1	Drg. No. <b>2434W10001</b>
DRAWN M LEASK   CHECKED _____   APPROVED R.D.WATSON	DATE 23/07/02   IE _____   OPS _____   PCP _____   Purch.Spec. TQ _____   EAC _____   CE _____   STD _____   A2 _____	Copyright © Reyrolle Ltd.			
First used on: _____ Similar Articles: _____ Supersedes: _____		2 3/5/96 1 30/11/95 CHANGE NOTED			